

4

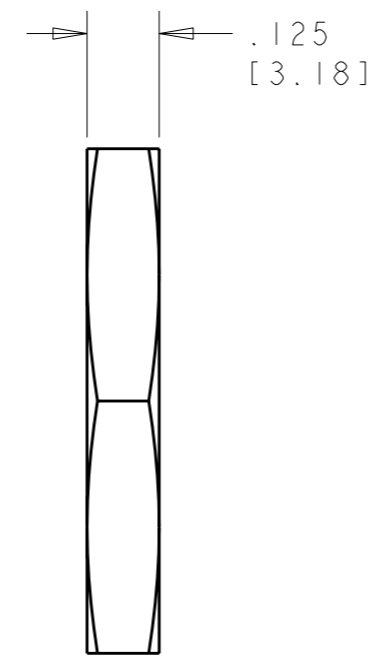
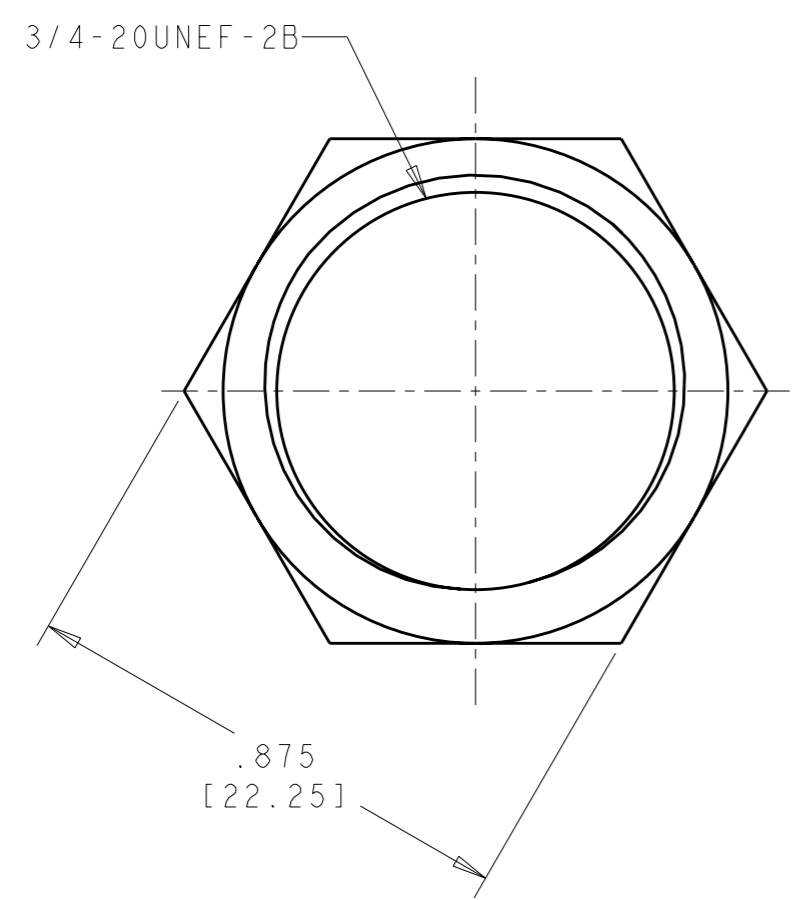
3

2

1

THIS DRAWING IS UNPUBLISHED. RELEASED FOR PUBLICATION 20
 © COPYRIGHT 20 BY TYCO ELECTRONICS CORPORATION. ALL RIGHTS RESERVED.

LOC	DIST	REVISIONS			
P	LTR	DESCRIPTION	DATE	DWN	APVD
	A	RELEASED EC 0G3B-0362-03	18JUL2003	SW	HW
	AI	REVISED PER ECO-07-003908	26FEB2007	SS	MS



1. BULK PACKAGED IN QTY OF 100.

2 FINISH: NICKEL OVER COPPER

1445904-1
 PART NUMBER

<small>THIS DRAWING IS A CONTROLLED DOCUMENT FOR TYCO ELECTRONICS CORPORATION IT IS SUBJECT TO CHANGE AND THE CONTROLLING ENGINEERING ORGANIZATION SHOULD BE CONTACTED FOR THE LATEST REVISION.</small>		DWN S. WIEST 17JUN2002 CHK G DOUTY 17JUN2002 APVD H. WAKFFM 18JUL2003	tyco Electronics Tyco Electronics Harrisburg, PA 17105-3608
DIMENSIONS: in [mm]	TOLERANCES UNLESS OTHERWISE SPECIFIED: 0 PLC ±. 1 PLC ±. 2 PLC ±. 3 PLC ±. 4 PLC ±. ANGLES ±.	PRODUCT SPEC - APPLICATION SPEC - WEIGHT -	NAME JAM NUT, MINI CPC - - SIZE A3 CAGE CODE 00779 DRAWING NO C-1445904 RESTRICTED TO -
MATERIAL ZINC	FINISH - 2	CUSTOMER DRAWING	SCALE 3:1 SHEET 1 OF 1 REV AI